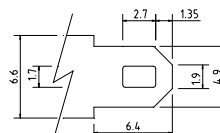
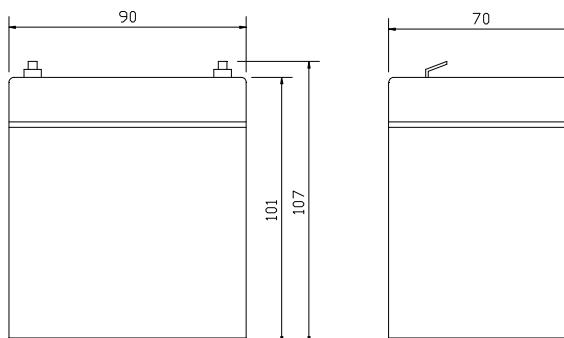
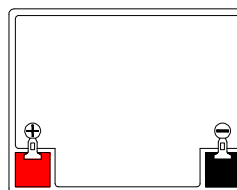


RM12-5

Unit:mm(±0.50)

Technical Specifications

Nominal Voltage	12V
Nominal Capacity	5.0AH(20HR)
Dimension	
Length	3.54inch(90mm)
Width	2.76inch(70mm)
Height	3.98inch(101mm)
Total Height /w Terminal	4.21inch(107mm)
Weight	Approx 3.63lb(1.65kg)
Standard terminal	Type A

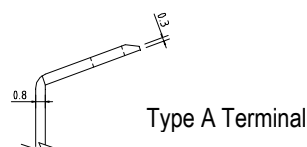


Capacity Specifications

Cut Off Voltage	20Hr Rate(0.25A)	5.0AH
1.75v/c@25°C	10Hr Rate(0.46A)	4.6AH
1.75v/c	5Hr Rate(0.8A)	4.0AH
1.67v/c	1Hr Rate(3.0A)	3.0AH
1.67v/c	15Min Rate(10A)	2.5AH

Charging Specifications

		Bloc
Charge Voltage(<i>constant</i>)	Float	13.5~13.8
	Cycle	14.4~15.0
Internal Resistance (Fully Charged Battery)	< 35mΩ	
Discharge Current Amps (5 seconds maximum)	75	
Max.Charge Current	1.50A	
Approx Final Charge Current (2.25v/c Float)	0.008(8mA)	
Approx Final Charge Current (2.45v/c Float)	0.04(40mA)	
Self Discharge	6 Months@25°C	



Type A Terminal



Actual Wattage Capacity at Various Discharges (Voltage @25°C)

Cut Off Voltage	Time	Time						
		5min	10min	15min	30min	45min	60min	
9.6V	W	240.0	156.0	120.0	69.0	50.9	39.0	
9.9V	W	232.3	152.9	117.6	68.3	50.6	38.6	
10.2V	W	222.3	149.4	115.0	67.4	49.7	38.1	
10.5V	W	209.2	144.2	111.5	65.9	48.7	37.5	
10.8V	W	180.8	133.1	106.6	63.5	46.3	36.4	

Sales Office:

9/F, 30 Wong Chuk Hang Road, Aberdeen, Hong Kong

Tel: 2555-1394 ext163 Web: www.remcobattery.com

Fax: 2873-4229

Email: sales@remcobattery.com

Rev. 100719